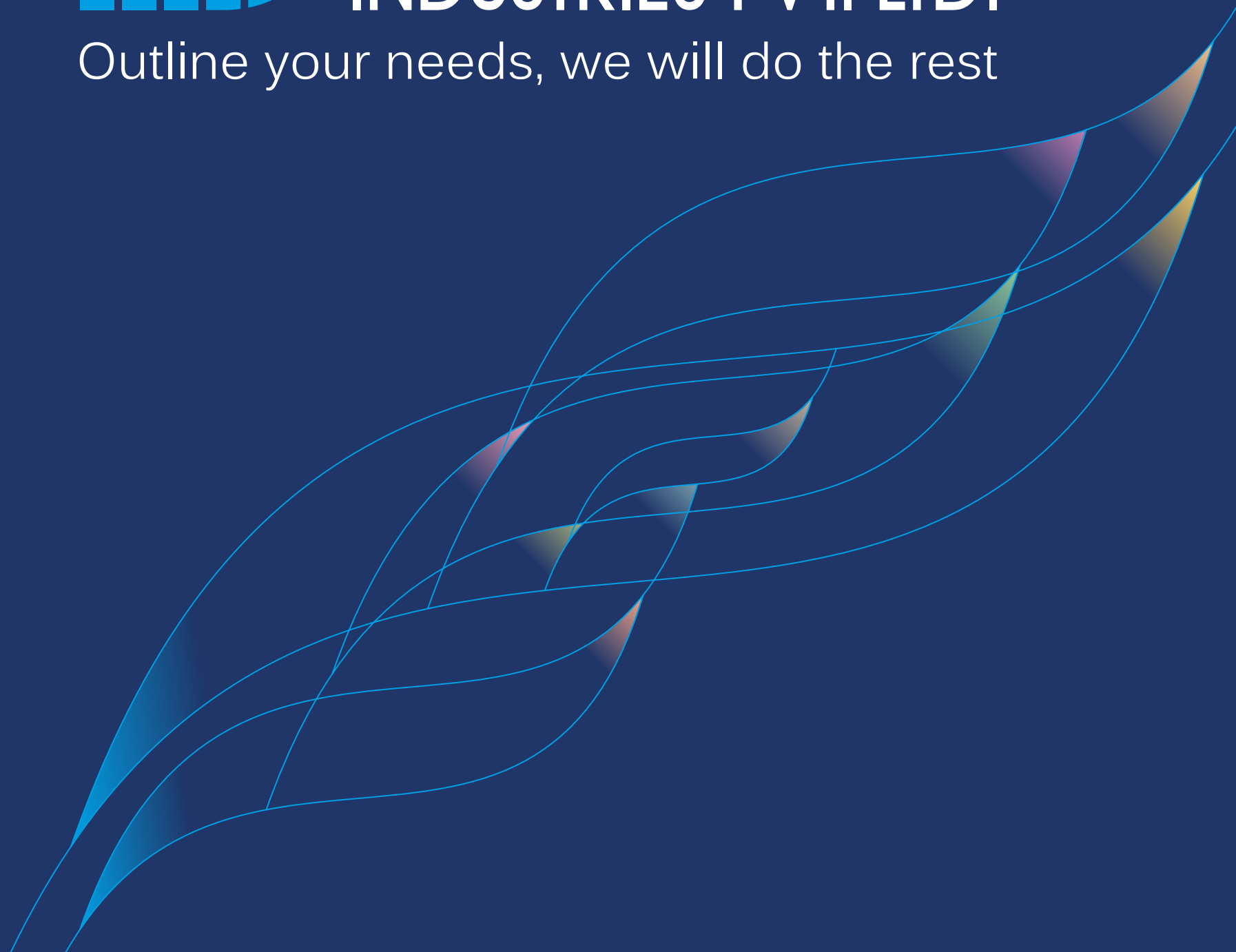


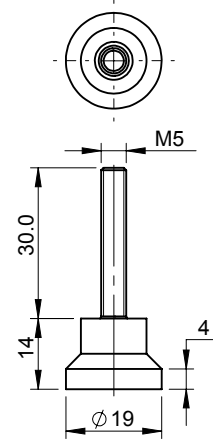


Outline your needs, we will do the rest

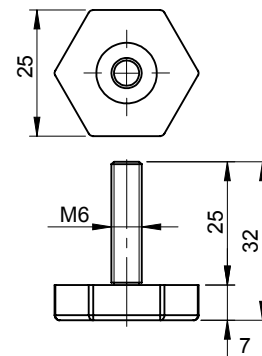


Handles

Leveling Base



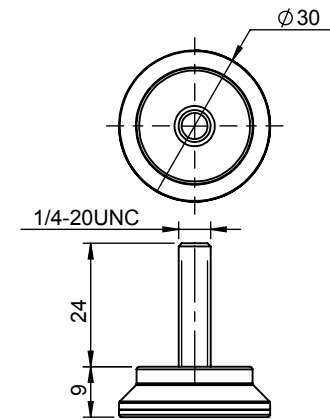
Product Code	Base Material	Stud Material	Stud Size	Stud Length	Load Capacity (Kg)
DLB-20-A	Polyamide	MS	M5	30	
All Studs are Blue Zinc Plating					



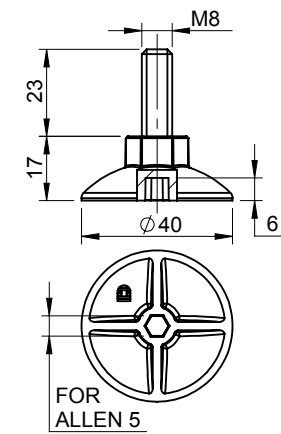
Product Code	Base Material	Stud Material	Stud Size	Stud Length	Load Capacity (Kg)
DLBH-25-06-25	Polyamide	MS	M6	25	
All Studs are Blue Zinc Plating					

Handles

Leveling Base



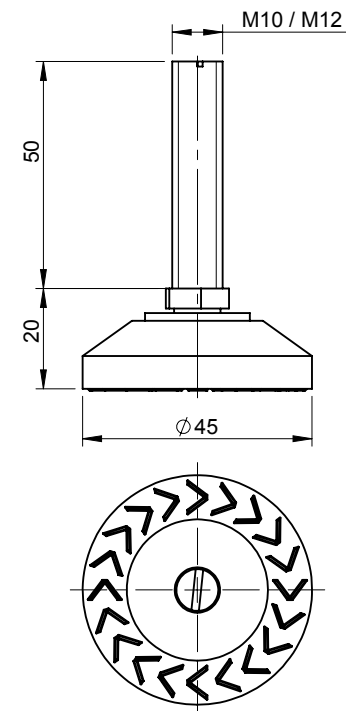
Product Code	Base Material	Stud Material	Stud Size	Stud Length	Load Capacity (Kg)
DLB-30-1/4-20	Polyamide	MS	1/4-20 UNC	24	
All Studs are Blue Zinc Plating					



Product Code	Base Material	Stud Material	Stud Size	Stud Length	Load Capacity (Kg)
DLBH-40-8-23	Polyamide	MS	M8	23	
All Studs are Blue Zinc Plating					

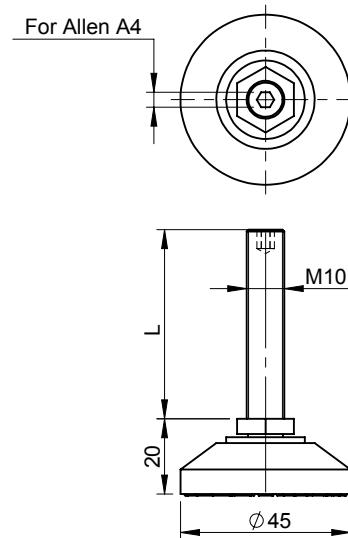
Handles

Leveling Base



Product Code	Base Material	Stud Material	Stud Size	Stud Length	Load Capacity (Kg)
DLB-45-10-50	Polyamide	MS	M10	50	700
DLB-45-12-50	Polyamide	MS	M12	50	700

All Studs are Blue Zinc Plating

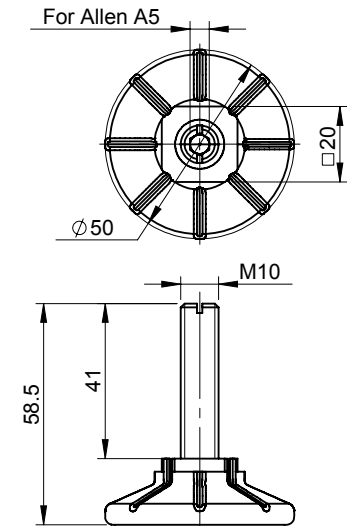


Product Code	Base Material	Stud Material	Stud Size	Stud Length	Load Capacity (Kg)
DLB-45-A-10-40	Polyamide	MS	M10	40	700

All Studs are Blue Zinc Plating

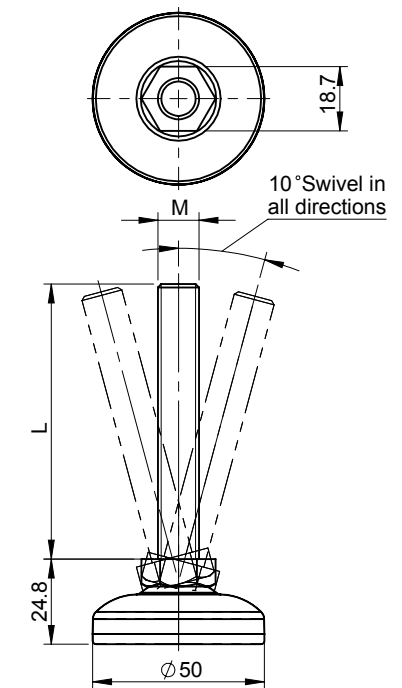
Handles

Leveling Base



Product Code	Base Material	Stud Material	Stud Size	Stud Length	Load Capacity (Kg)
DLB-50-I	Polyamide	MS	M10	41	600

All Studs are Blue Zinc Plating

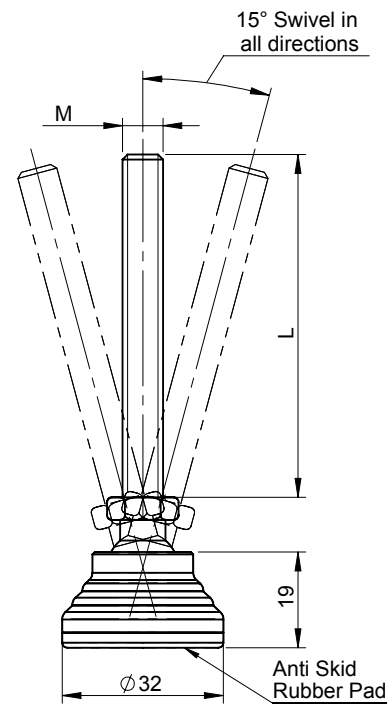


Product Code	Base Material	Stud Material	Stud Size (M)	Stud Length (L)	Load Capacity (Kg)
DLB-50-E-1075	Polyamide	MS	M10	75	
DLB-50-E-10100	Polyamide	MS	M10	100	350
DLB-50-E-1275	Polyamide	MS	M12	75	
DLB-50-E-12100	Polyamide	MS	M12	100	

All Studs are Blue Zinc Plating

Handles

Leveling Base



Product Code	Base Material	Stud Material	Stud Size (M)	Stud Length (L)	Load Capacity (Kg)
DLB-32-0825	Polyamide	MS	M8	25	
DLB-32-0868	Polyamide	MS	M8	68	
DLB-32-08100	Polyamide	MS	M8	100	
DLB-32-SS-0850	Polyamide	SS-304	M8	50	
DLB-32-1025	Polyamide	MS	M10	25	
DLB-32-1028	Polyamide	MS	M10	28	
DLB-32-1068	Polyamide	MS	M10	68	600
DLB-32-1080	Polyamide	MS	M10	80	
DLB-32-10100	Polyamide	MS	M10	100	
DLB-32-10120	Polyamide	MS	M10	120	
DLB-32-10180	Polyamide	MS	M10	180	
DLB-32-SS-10100	Polyamide	SS-304	M10	100	
DLB-32-SS-10140	Polyamide	SS-304	M10	140	
DLB-32-1225	Polyamide	MS	M12	25	
DLB-32-1268	Polyamide	MS	M12	68	
DLB-32-12100	Polyamide	MS	M12	100	
DLB-32-SS-1250	Polyamide	SS-304	M12	50	
DLB-32-SS-12100	Polyamide	SS-304	M12	100	

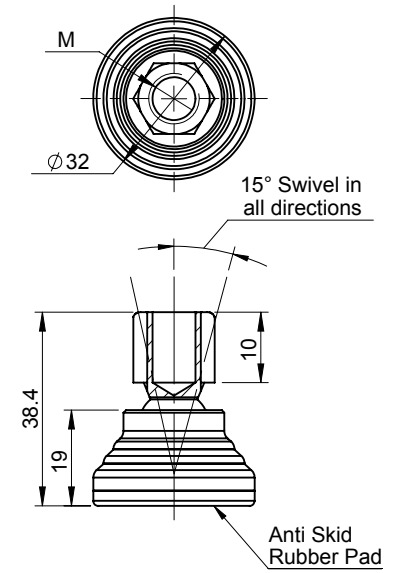
All Studs are Blue Zinc Plating

*SS - **SS-304**

SS-304 Studs are available on minimum order quantity (MOQ)

Handles

Leveling Base



Product Code	Base Material	Insert Material	Insert Size (M)	Load Capacity (Kg)
DLBI-32-08	Polyamide	MS	M8	
DLBI-32-10	Polyamide	MS	M10	550
DLBI-32-12	Polyamide	MS	M12	

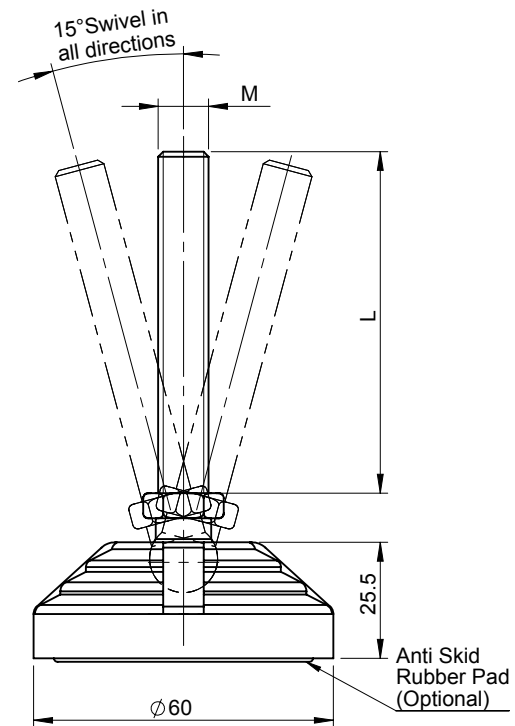
All Inserts are Blue Zinc Plating

*SS - **SS-304**

SS-304 Studs are available on minimum order quantity (MOQ)

Handles

Leveling Base



Product Code	Base Material	Stud Material	Stud Size (M)	Stud Length (L)	Load Capacity (Kg)
DLB-60-0868	Polyamide	MS	M8	68	
DLB-60-08100	Polyamide	MS	M8	100	
DLB-60-SS-0850	Polyamide	SS-304	M8	50	
DLB-60-1068	Polyamide	MS	M10	68	1000
DLB-60-1080	Polyamide	MS	M10	80	
DLB-60-10100	Polyamide	MS	M10	100	1200
DLB-60-10120	Polyamide	MS	M10	120	
DLB-60-10180	Polyamide	MS	M10	180	
DLB-60-SS-10100	Polyamide	SS-304	M10	100	
DLB-60-SS-10140	Polyamide	SS-304	M10	140	
DLB-60-1268	Polyamide	MS	M12	68	
DLB-60-1280	Polyamide	MS	M12	80	
DLB-60-12100	Polyamide	MS	M12	100	
DLB-60-SS-1250	Polyamide	SS-304	M12	50	
DLB-60-SS-12100	Polyamide	SS-304	M12	100	
DLB-60-1668	Polyamide	MS	M16	68	
DLB-60-16100	Polyamide	MS	M16	100	
DLB-60-16140	Polyamide	MS	M16	140	
DLB-60-16160	Polyamide	MS	M16	160	
DLB-60-SS-16100	Polyamide	SS-304	M16	100	
DLB-60-20100	Polyamide	MS	M20	100	
DLB-60-20160	Polyamide	MS	M20	160	
DLB-60-SS-20100	Polyamide	SS-304	M20	100	
DLB-60-SS-20160	Polyamide	SS-304	M20	160	

All Studs are Blue Zinc Plating

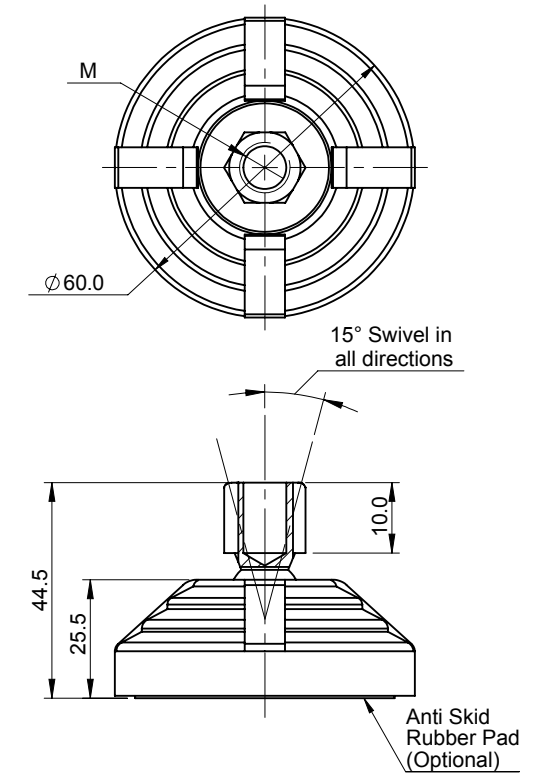
*SS - SS-304

SS-304 Studs are available on minimum order quantity (MOQ)

For Antiskid Rubber Pad add R : DLB-60-R

Handles

Leveling Base



Product Code	Base Material	Insert Material	Insert Size (M)	Load Capacity (Kg)
DLBI-60-08	Polyamide	MS	M8	
DLBI-60-10	Polyamide	MS	M10	1100
DLBI-60-12	Polyamide	MS	M12	

All Inserts are Blue Zinc Plating

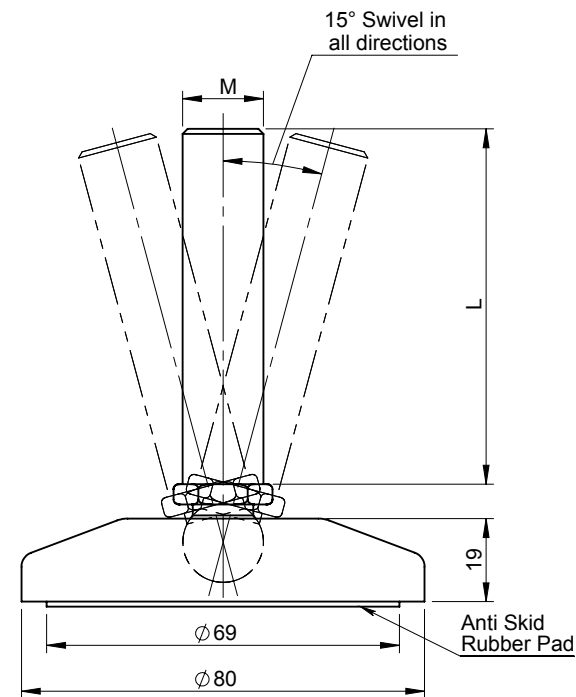
*SS - SS-304

SS-304 Studs are available on minimum order quantity (MOQ)

For Antiskid Rubber Pad add R : DLBI-60-R

Handles

Leveling Base



Product Code	Base Material	Stud Material	Stud Size (M)	Stud Length (L)	Load Capacity (Kg)
DLB-80-0868	Polyamide	MS	M8	68	
DLB-80-08100	Polyamide	MS	M8	100	
DLB-80-SS-0850	Polyamide	SS-304	M8	50	
DLB-80-1068	Polyamide	MS	M10	68	
DLB-80-1080	Polyamide	MS	M10	80	
DLB-80-10100	Polyamide	MS	M10	100	120
DLB-80-10120	Polyamide	MS	M10	120	100
DLB-80-10180	Polyamide	MS	M10	180	
DLB-80-SS-10100	Polyamide	MS	M10	100	
DLB-80-SS-10140	Polyamide	SS-304	M10	140	
DLB-80-1268	Polyamide	MS	M12	68	
DLB-80-1280	Polyamide	MS	M12	80	
DLB-80-12100	Polyamide	MS	M12	100	
DLB-80-SS-1250	Polyamide	SS-304	M12	50	
DLB-80-SS-12100	Polyamide	SS-304	M12	100	
DLB-80-1668	Polyamide	MS	M16	68	
DLB-80-16100	Polyamide	MS	M16	100	300
DLB-80-16140	Polyamide	MS	M16	140	
DLB-80-16150	Polyamide	MS	M16	150	
DLB-80-16160	Polyamide	MS	M16	160	
DLB-80-SS-16100	Polyamide	SS-304	M16	100	
DLB-80-20100	Polyamide	MS	M20	100	
DLB-80-20160	Polyamide	MS	M20	160	
DLB-80-SS-20100	Polyamide	SS-304	M20	100	
DLB-80-SS-20160	Polyamide	SS-304	M20	160	

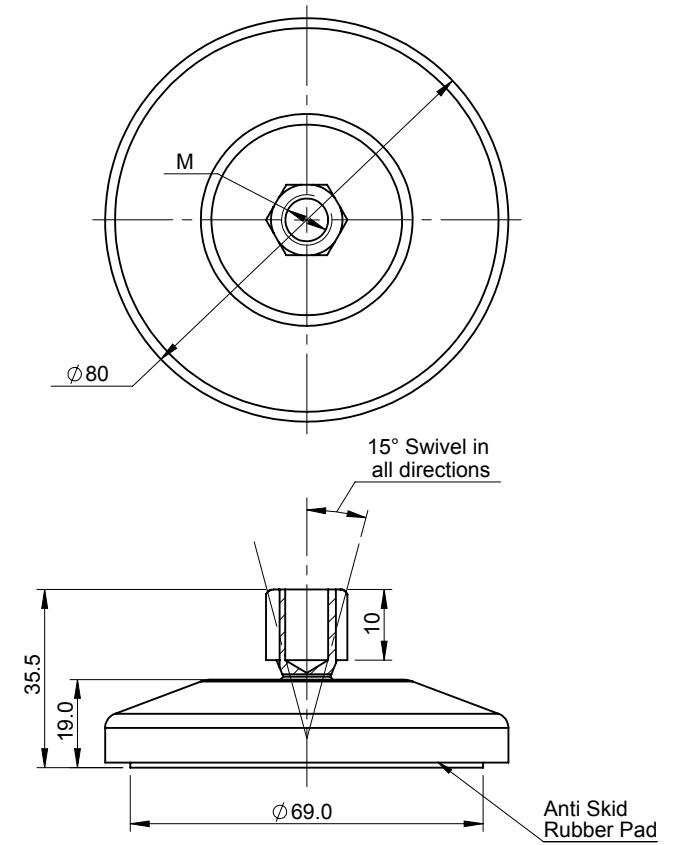
All Studs are Blue Zinc Plating

*SS - SS-304

SS-304 Studs are available on minimum order quantity (MOQ)

Handles

Leveling Base



Product Code	Base Material	Insert Material	Insert Size (M)	Load Capacity (Kg)
DLBI-80-08	Polyamide	MS	M8	
DLBI-80-10	Polyamide	MS	M10	
DLBI-80-12	Polyamide	MS	M12	250

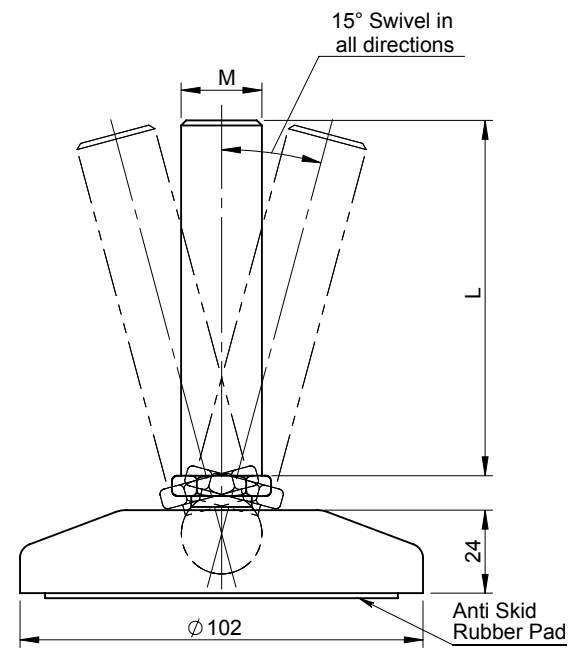
All Inserts are Blue Zinc Plating

*SS - SS-304

SS-304 Studs are available on minimum order quantity (MOQ)

Handles

Leveling Base



Product Code	Base Material	Stud Material	Stud Size (M)	Stud Length (L)	Load Capacity (Kg)
DLB-100-16100	Polyamide	MS	M16	100	700
DLB-100-16150	Polyamide	MS	M16	150	
DLB-100-16200	Polyamide	MS	M16	200	
DLB-100-SS-16100	Polyamide	SS-304	M16	100	
DLB-100-SS-16150	Polyamide	SS-304	M16	150	
DLB-100-20100	Polyamide	MS	M20	100	
DLB-100-20160	Polyamide	MS	M20	160	
DLB-100-SS-20100	Polyamide	SS-304	M20	100	
DLB-100-SS-20160	Polyamide	SS-304	M20	160	
DLB-100-24140	Polyamide	MS	M24	140	
DLB-100-24160	Polyamide	MS	M24	160	
DLB-100-24200	Polyamide	MS	M24	200	450
DLB-100-24250	Polyamide	MS	M24	250	
DLB-100-24300	Polyamide	MS	M24	300	
DLB-100-SS-24140	Polyamide	SS-304	M24	140	
DLB-100-SS-24160	Polyamide	SS-304	M24	160	

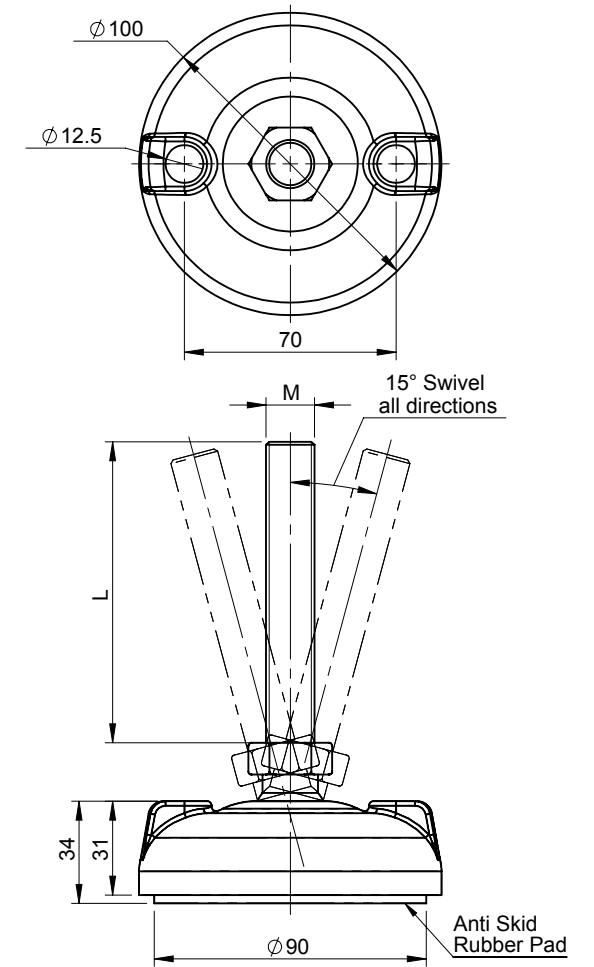
All Studs are Blue Zinc Plating

*SS - SS-304

SS-304 Studs are available on minimum order quantity (MOQ)

Handles

Leveling Base



Product Code	Base Material	Stud Material	Stud Size (M)	Stud Length (L)	Load Capacity (Kg)
DLBG-100-16100	Polyamide	MS	M16	100	
DLBG-100-16150	Polyamide	MS	M16	150	1200
DLBG-100-SS-16100	Polyamide	SS-304	M16	100	
DLBG-100-SS-16150	Polyamide	SS-304	M16	150	
DLBG-100-20100	Polyamide	MS	M20	100	
DLBG-100-20160	Polyamide	MS	M20	160	
DLBG-100-SS-20100	Polyamide	SS-304	M20	100	
DLBG-100-SS-20160	Polyamide	SS-304	M20	160	
DLBG-100-24140	Polyamide	MS	M24	140	1000
DLBG-100-24160	Polyamide	MS	M24	160	
DLBG-100-24200	Polyamide	MS	M24	200	
DLBG-100-24250	Polyamide	MS	M24	250	
DLBG-100-24300	Polyamide	MS	M24	300	
DLBG-100-SS-24140	Polyamide	SS-304	M24	140	
DLBG-100-SS-24160	Polyamide	SS-304	M24	160	

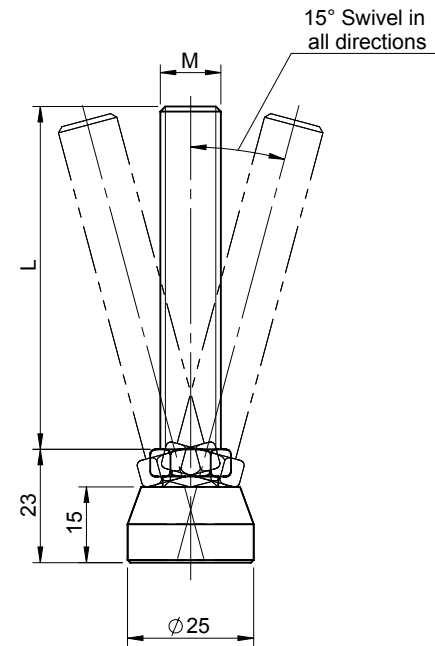
All Studs are Blue Zinc Plating

*SS - SS-304

SS-304 Studs are available on minimum order quantity (MOQ)

Handles

Leveling Base



Product Code	Base Material	Stud Material	Stud Size (M)	Stud Length (L)	Load Capacity (Kg)
DLBMT-25-0868	MS	MS	M8	68	
DLBMT-25-08100	MS	MS	M8	100	1375
DLBMT-25-SS-0850	SS-304	SS-304	M8	50	
DLBMT-25-1068	MS	MS	M10	68	
DLBMT-25-1080	MS	MS	M10	80	
DLBMT-25-10100	MS	MS	M10	100	1500
DLBMT-25-10120	MS	MS	M10	120	
DLBMT-25-10180	MS	MS	M10	180	
DLBMT-25-SS-10100	SS-304	SS-304	M10	100	
DLBMT-25-SS-10400	SS-304	SS-304	M10	140	
DLBMT-25-1268	MS	MS	M12	68	
DLBMT-25-1280	MS	MS	M12	80	
DLBMT-25-12100	MS	MS	M12	100	
DLBMT-25-SS-1250	SS-304	SS-304	M12	50	
DLBMT-25-SS-12100	SS-304	SS-304	M12	100	
DLBMT-25-1650	MS	MS	M16	50	
DLBMT-25-1668	MS	MS	M16	68	
DLBMT-25-16100	MS	MS	M16	100	
DLBMT-25-16140	MS	MS	M16	140	
DLBMT-25-16150	MS	MS	M16	150	
DLBMT-25-16160	MS	MS	M16	160	
DLBMT-25-SS-16100	SS-304	SS-304	M16	100	

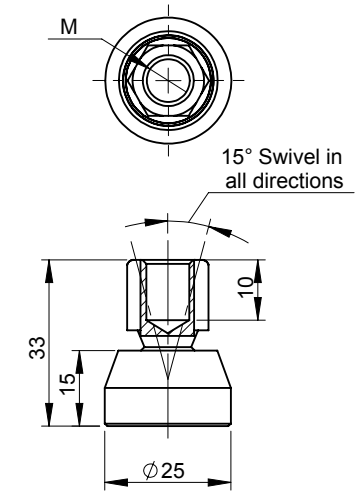
All Base & Studs are Blue Zinc Plating

*SS - SS-304

SS-304 Studs are available on minimum order quantity (MOQ)

Handles

Leveling Base



Product Code	Base Material	Insert Material	Insert Size (M)	Load Capacity (Kg)
DLBMTI-25-08	MS	MS	M8	1000
DLBMTI-25-10	MS	MS	M10	1150
DLBMTI-25-12	MS	MS	M12	

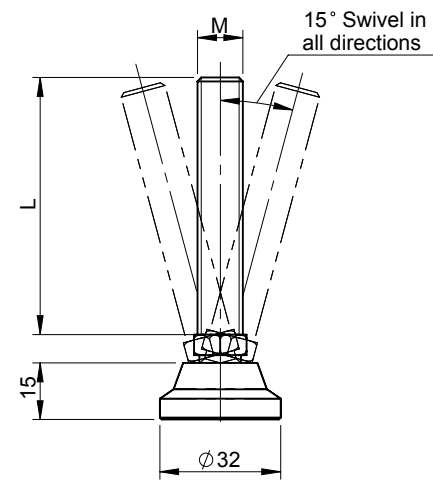
All Base & Inserts are Blue Zinc Plating

*SS - SS-304

SS-304 Studs are available on minimum order quantity (MOQ)

Handles

Leveling Base



Product Code	Base Material	Stud Material	Stud Size (M)	Stud Length (L)	Load Capacity (Kg)
DLBMT-32-0868	MS	MS	M8	68	
DLBMT-32-08100	MS	MS	M8	100	
DLBMT-32-SS-0850	SS-304	SS-304	M8	50	
DLBMT-32-1068	MS	MS	M10	68	2350
DLBMT-32-1080	MS	MS	M10	80	
DLBMT-32-10100	MS	MS	M10	100	
DLBMT-32-10120	MS	MS	M10	120	
DLBMT-32-10180	MS	MS	M10	180	
DLBMT-32-SS-10100	SS-304	MS	M10	100	
DLBMT-32-SS-10140	SS-304	MS	M10	140	
DLBMT-32-1268	MS	MS	M12	68	2450
DLBMT-32-1280	MS	MS	M12	80	
DLBMT-32-12100	MS	MS	M12	100	
DLBMT-32-SS-1250	SS-304	SS-304	M12	50	
DLBMT-32-SS-12100	SS-304	SS-304	M12	100	
DLBMT-32-1650	MS	MS	M16	50	
DLBMT-32-1668	MS	MS	M16	68	
DLBMT-32-16100	MS	MS	M16	100	
DLBMT-32-16140	MS	MS	M16	140	
DLBMT-32-16150	MS	MS	M16	150	
DLBMT-32-16160	MS	MS	M16	160	
DLBMT-32-SS-16100	SS-304	SS-304	M16	100	

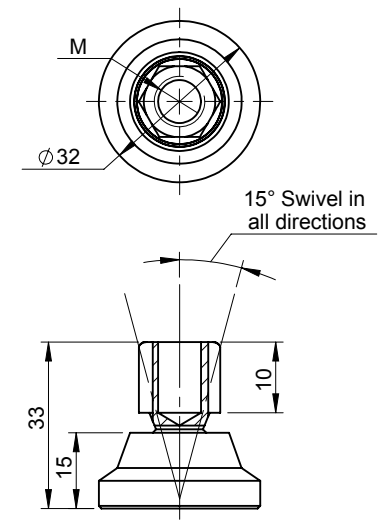
All Base & Studs are Blue Zinc Plating

*SS - SS-304

SS-304 Studs are available on minimum order quantity (MOQ)

Handles

Leveling Base



Product Code	Base Material	Insert Material	Insert Size (M)	Load Capacity (Kg)
DLBMTI-32-08	MS	MS	M8	
DLBMTI-32-10	MS	MS	M10	1250
DLBMTI-32-12	MS	MS	M12	1500

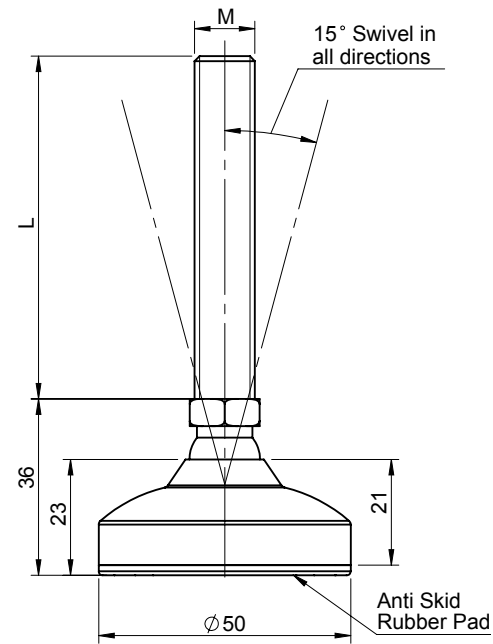
All Base & Inserts are Blue Zinc Plating

*SS - SS-304

SS-304 Studs are available on minimum order quantity (MOQ)

Handles

Leveling Base



Product Code	Base Material	Stud Material	Stud Size (M)	Stud Length (L)	Load Capacity (Kg)
DLBMT-50-R-0868	MS	MS	M8	68	
DLBMT-50-R-08100	MS	MS	M8	100	
DLBMT-50-R-SS-0850	SS-304	SS-304	M8	50	
DLBMT-50-R-1068	MS	MS	M10	68	2250
DLBMT-50-R-1080	MS	MS	M10	80	
DLBMT-50-R-10100	MS	MS	M10	100	
DLBMT-50-R-10120	MS	MS	M10	120	
DLBMT-50-R-10180	MS	MS	M10	180	
DLBMT-50-R-SS-10100	SS-304	SS-304	M10	100	
DLBMT-50-R-SS-10140	SS-304	SS-304	M10	140	
DLBMT-50-R-1268	MS	MS	M12	68	
DLBMT-50-R-1280	MS	MS	M12	80	
DLBMT-50-R-12100	MS	MS	M12	100	2500
DLBMT-50-R-SS-1250	SS-304	SS-304	M12	50	
DLBMT-50-R-SS-12100	SS-304	SS-304	M12	100	
DLBMT-50-R-1650	MS	MS	M16	50	
DLBMT-50-R-1668	MS	MS	M16	68	
DLBMT-50-R-16100	MS	MS	M16	100	
DLBMT-50-R-16140	MS	MS	M16	140	
DLBMT-50-R-16150	MS	MS	M16	150	
DLBMT-50-R-16160	MS	MS	M16	160	900
DLBMT-50-R-SS-16100	SS-304	SS-304	M16	100	

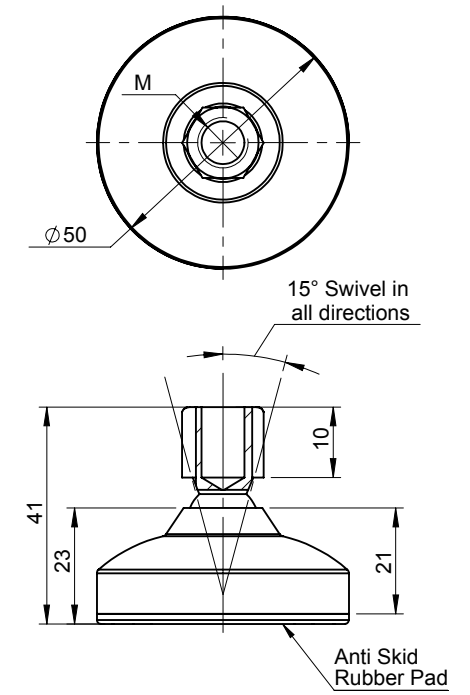
All Base & Studs are Blue Zinc Plating

*SS - SS-304

SS-304 Studs are available on minimum order quantity (MOQ)

Handles

Leveling Base



Product Code	Base Material	Insert Material	Insert Size (M)	Load Capacity (Kg)
DLBMTI-50-R-08	MS	MS	M8	
DLBMTI-50-R-10	MS	MS	M10	
DLBMTI-50-R-12	MS	MS	M12	1000

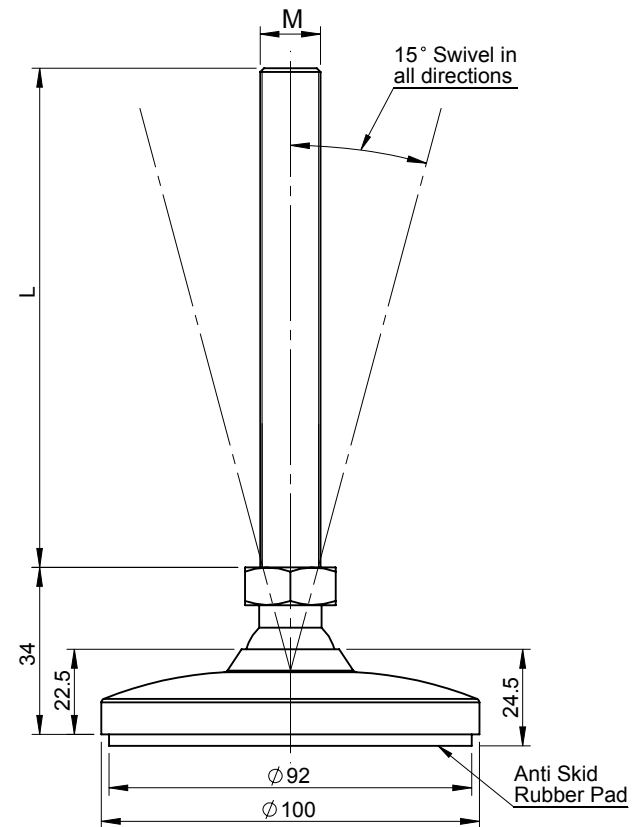
All Base & Inserts are Blue Zinc Plating

*SS - SS-304

SS-304 Studs are available on minimum order quantity (MOQ)

Handles

Leveling Base



Product Code	Base Material	Stud Material	Stud Size (M)	Stud Length (L)	Load Capacity (Kg)
DLBMT-100-R-0868	MS	MS	M8	68	
DLBMT-100-R-08100	MS	MS	M8	100	
DLBMT-100-R-SS-0850	SS-304	SS-304	M8	50	
DLBMT-100-R-1068	MS	MS	M10	68	
DLBMT-100-R-1080	MS	MS	M10	80	
DLBMT-100-R-10100	MS	MS	M10	100	
DLBMT-100-R-10120	MS	MS	M10	120	
DLBMT-100-R-10180	MS	MS	M10	180	
DLBMT-100-R-SS-10100	SS-304	SS-304	M10	100	
DLBMT-100-R-SS-10140	SS-304	SS-304	M10	140	
DLBMT-100-R-1268	MS	MS	M12	68	
DLBMT-100-R-1280	MS	MS	M12	80	
DLBMT-100-R-12100	MS	MS	M12	100	1500
DLBMT-100-R-SS-1250	SS-304	SS-304	M12	50	
DLBMT-100-R-SS-12100	SS-304	SS-304	M12	100	
DLBMT-100-R-1650	MS	MS	M16	50	
DLBMT-100-R-1668	MS	MS	M16	68	
DLBMT-100-R-16100	MS	MS	M16	100	4000
DLBMT-100-R-16140	MS	MS	M16	140	
DLBMT-100-R-16150	MS	MS	M16	150	
DLBMT-100-R-16160	MS	MS	M16	160	
DLBMT-100-R-SS-16100	SS-304	SS-304	M16	100	
DLBMT-100-R-20100	MS	MS	M20	100	
DLBMT-100-R-20160	MS	MS	M20	160	
DLBMT-100-R-SS-20100	SS-304	SS-304	M20	100	
DLBMT-100-R-SS-20160	SS-304	SS-304	M20	160	

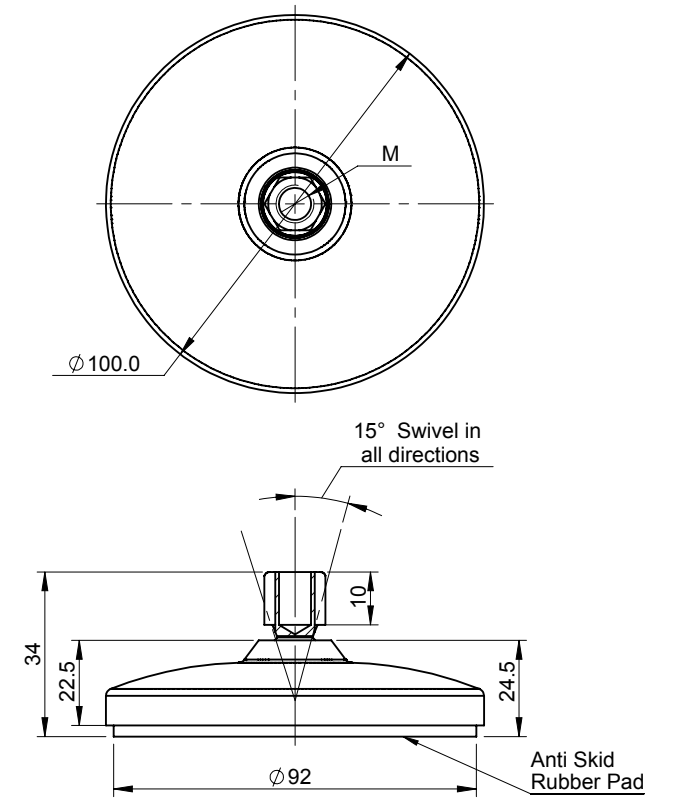
All Base & Studs are Blue Zinc Plating

*SS - SS-304

SS-304 Studs are available on minimum order quantity (MOQ)

Handles

Leveling Base



Product Code	Base Material	Insert Material	Insert Size (M)	Load Capacity (Kg)
DLBMTI-100-R-08	MS	MS	M8	
DLBMTI-100-R-10	MS	MS	M10	
DLBMTI-100-R-12	MS	MS	M12	1275

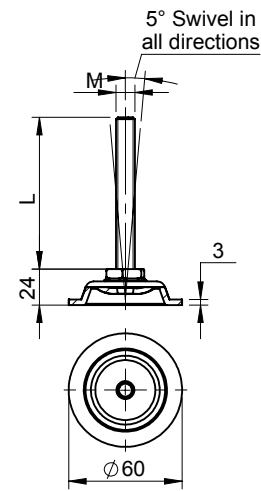
All Base & Inserts are Blue Zinc Plating

*SS - SS-304

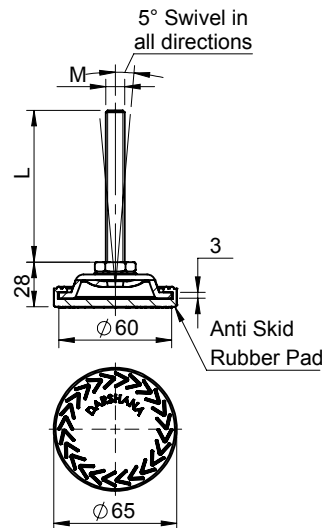
SS-304 Studs are available on minimum order quantity (MOQ)

Handles

Leveling Base



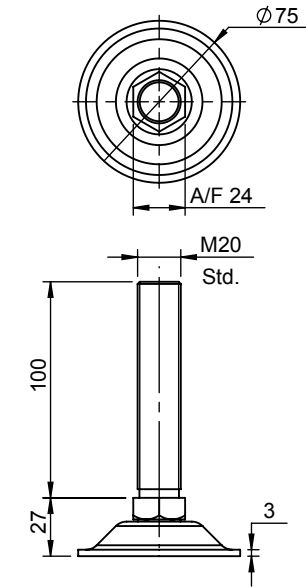
Item No.	Base Material	Stud Material	Stud Size (M)	Stud Length (L)	Load Capacity (Kg)
DLBM-60-1068	MS	MS	M10	68	
DLBM-60-10100	MS	MS	M10	100	1500
DLBM-60-1268	MS	MS	M12	68	
DLBM-60-1280	MS	MS	M12	80	
DLBM-60-12100	MS	MS	M12	100	
DLBM-60-12150	MS	MS	M12	150	
DLBM-60-1668	MS	MS	M16	68	2500
DLBM-60-16100	MS	MS	M16	100	
DLBM-60-16150	MS	MS	M16	150	
DLBM-60-16160	MS	MS	M16	160	
DLBM-60 for Mild Steel DLBS-60 for Stainless Steel Base is Nickel Plating All Studs are Blue Zinc Plating					



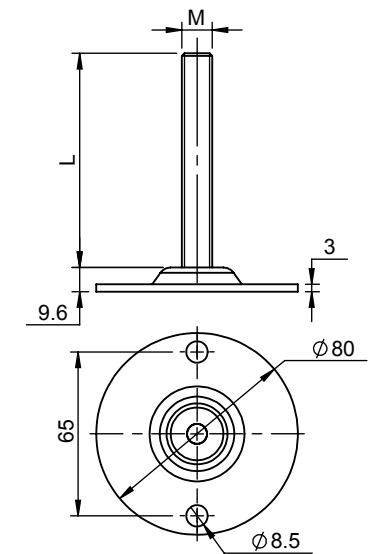
Product Code	Base Material	Stud Material	Stud Size (M)	Stud Length (L)	Load Capacity (Kg)
DLBM-60-R-1068	MS	MS	M10	68	
DLBM-60-R-10100	MS	MS	M10	100	2000
DLBM-60-R-1268	MS	MS	M12	68	
DLBM-60-R-12100	MS	MS	M12	100	3000
DLBM-60-R-1668	MS	MS	M16	68	
DLBM-60-R-16100	MS	MS	M16	100	
DLBM-60-R-16150	MS	MS	M16	150	300
DLBM-60-R-16160	MS	MS	M16	160	
DLBM-60-R for Mild Steel DLBS-60-R for Stainless Steel Base is Nickel Plating All Studs are Blue Zinc Plating					

Handles

Leveling Base



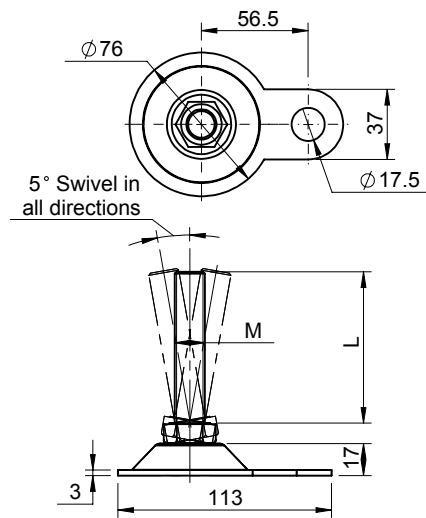
Product Code	Base Material	Stud Material	Stud Size	Stud Length	Load Capacity (Kg)
DLBM-75-R-20100	MS	MS	M20	100	
Base & Stud is Blue Zinc Plating					



Product Code	Base Material	Stud Material	Stud Size (M)	Stud Length (L)	Load Capacity (Kg)
DLBM-80-1285	MS	MS	M12	85	
DLBM-80-16240	MS	MS	M16	240	
Base & Stud is Blue Zinc Plating					

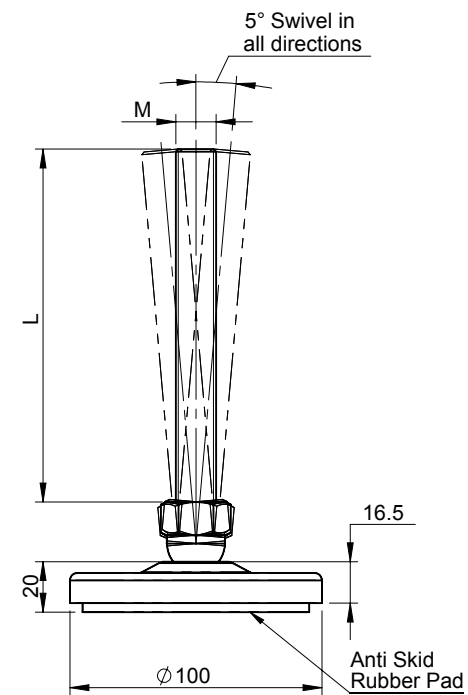
Handles

Leveling Base



Product Code	Base Material	Stud Material	Stud Size (M)	Stud Length (L)	Load Capacity (Kg)
DLBM-76-1068	MS	MS	M10	68	
DLBM-76-10100	MS	MS	M10	100	
DLBM-76-1268	MS	MS	M12	68	
DLBM-76-12100	MS	MS	M12	100	
DLBM-76-16100	MS	MS	M16	100	
DLBM-76-16160	MS	MS	M16	160	

Base & Studs are Blue Zinc Plating

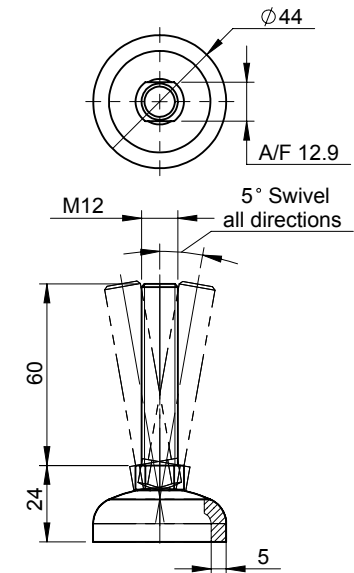


Product Code	Base Material	Stud Material	Stud Size (M)	Stud Length (L)	Load Capacity (Kg)
DLBM-100-R-12150	MS	MS	M12	150	
DLBM-100-R-16150	MS	MS	M16	150	
DLBM-100-R-20150	MS	MS	M20	150	

Base & Studs are Blue Zinc Plating

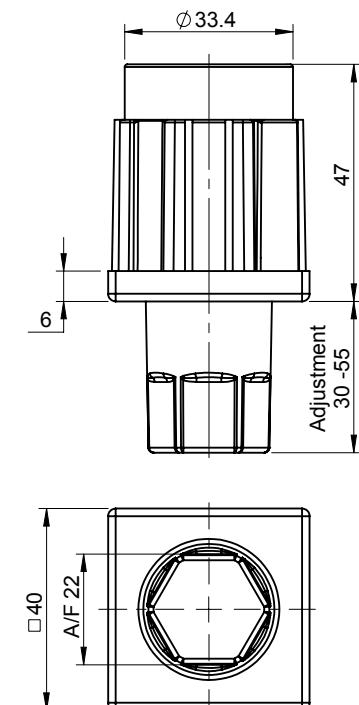
Handles

Leveling Base



Product Code	Base Material	Stud Material	Stud Size	Stud Length	Load Capacity (Kg)
DLBM-44-1260	MS	MS	M12	60	

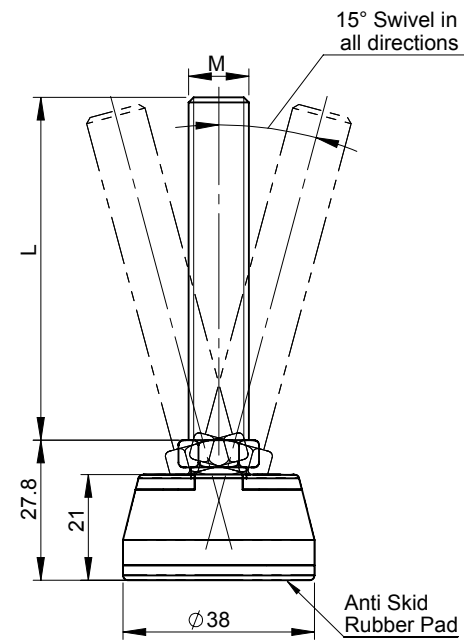
Base & Studs are Blue Zinc Plating



Product Code	Base Material	Stud Material	Base Finish	Stud Finish	Load Capacity (Kg)
LZCFS-40	Zinc	SS-304	Nickel Plating	Electro Polishing	

Handles

Leveling Base



Product Code	Base Material	Stud Material	Stud Size (M)	Stud Length (L)	Load Capacity (Kg)
DLBZ-38-R-0868	Zinc	MS	M8	68	
DLBZ-38-R-08100	Zinc	MS	M8	100	
DLBZ-38-R-SS-0850	Zinc	SS-304	M8	50	
DLBZ-38-R-1068	Zinc	MS	M10	68	
DLBZ-38-R-1080	Zinc	MS	M10	80	
DLBZ-38-R-10100	Zinc	MS	M10	100	700
DLBZ-38-R-10120	Zinc	MS	M10	120	
DLBZ-38-R-10180	Zinc	MS	M10	180	
DLBZ-38-R-SS-10100	Zinc	SS-304	M10	100	
DLBZ-38-R-SS-10140	Zinc	SS-304	M10	140	
DLBZ-38-R-1268	Zinc	MS	M12	68	
DLBZ-38-R-1280	Zinc	MS	M12	80	
DLBZ-38-R-12100	Zinc	MS	M12	100	
DLBZ-38-R-SS-1250	Zinc	SS-304	M12	50	
DLBZ-38-R-SS-12100	Zinc	SS-304	M12	100	
DLBZ-38-R-1650	Zinc	MS	M16	50	
DLBZ-38-R-1668	Zinc	MS	M16	68	
DLBZ-38-R-16100	Zinc	MS	M16	100	
DLBZ-38-R-16140	Zinc	MS	M16	140	
DLBZ-38-R-16150	Zinc	MS	M16	150	
DLBZ-38-R-16160	Zinc	MS	M16	160	
DLBZ-38-R-SS-16100	Zinc	SS-304	M16	100	

Base : Black PC

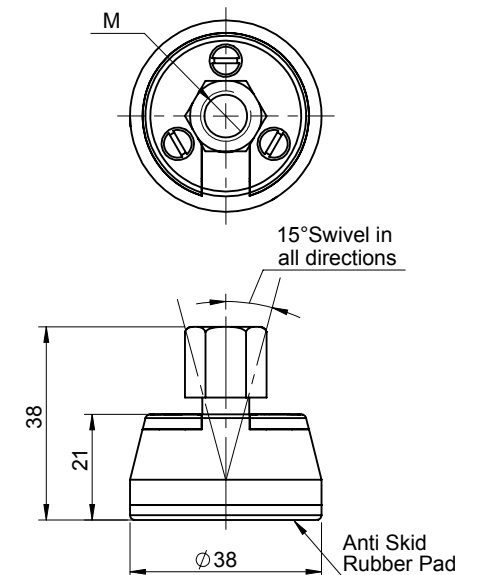
All Studs are Blue Zinc Plating

*SS - SS-304

SS-304 Studs are available on minimum order quantity (MOQ)

Handles

Leveling Base



Product Code	Base Material	Insert Material	Insert Size (M)	Load Capacity (Kg)
DLBZI-38-08	Zinc	MS	M8	1791
DLBZI-38-10	Zinc	MS	M10	
DLBZI-38-12	Zinc	MS	M12	

Base : Black PC

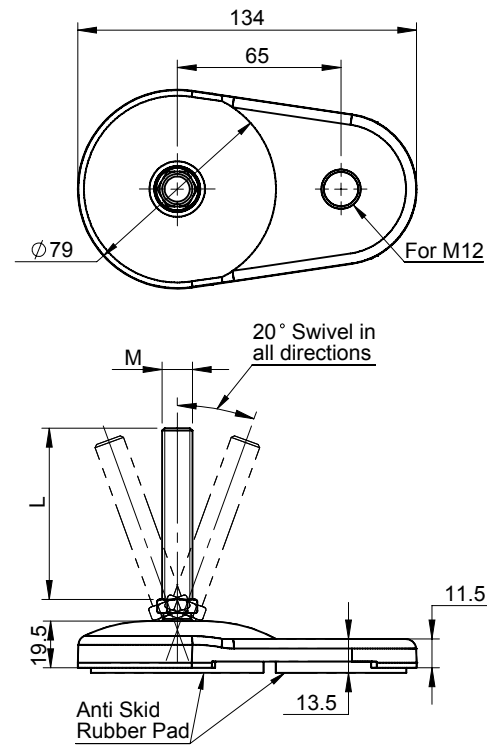
All Inserts are Blue Zinc Plating

*SS - SS-304

SS-304 Studs are available on minimum order quantity (MOQ)

Handles

Leveling Base



Product Code	Base Material	Stud Material	Stud Size (M)	Stud Length (L)	Load Capacity (Kg)
DLBZF-80-0868	Zinc	MS	M8	68	
DLBZF-80-08100	Zinc	MS	M8	100	
DLBZF-80-SS-0850	Zinc	SS-304	M8	50	
DLBZF-80-1068	Zinc	MS	M10	68	
DLBZF-80-1080	Zinc	MS	M10	80	
DLBZF-80-10100	Zinc	MS	M10	100	
DLBZF-80-10120	Zinc	MS	M10	120	
DLBZF-80-10180	Zinc	MS	M10	180	
DLBZF-80-SS-10100	Zinc	SS-304	M10	100	
DLBZF-80-SS-10140	Zinc	SS-304	M10	140	
DLBZF-80-1268	Zinc	MS	M12	68	
DLBZF-80-1280	Zinc	MS	M12	80	
DLBZF-80-12100	Zinc	MS	M12	100	1000
DLBZF-80-SS-1250	Zinc	SS-304	M12	50	
DLBZF-80-SS-12100	Zinc	SS-304	M12	100	
DLBZF-80-1650	Zinc	MS	M16	50	
DLBZF-80-1668	Zinc	MS	M16	68	
DLBZF-80-16100	Zinc	MS	M16	100	
DLBZF-80-16140	Zinc	MS	M16	140	
DLBZF-80-16150	Zinc	MS	M16	150	
DLBZF-80-16160	Zinc	MS	M16	160	
DLBZF-80-SS-16100	Zinc	SS-304	M16	100	
DLBZF-80-SS-16160	Zinc	SS-304	M16	160	
DLBZF-80-20100	Zinc	MS	M20	100	
DLBZF-80-20160	Zinc	MS	M20	160	
DLBZF-80-SS-20100	Zinc	SS-304	M20	100	
DLBZF-80-SS-20160	Zinc	SS-304	M20	160	

Base : Black PC

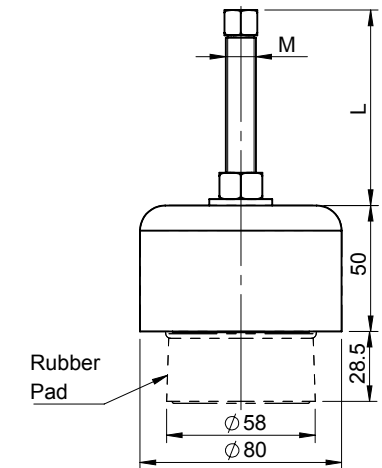
All Studs are Blue Zinc Plating

*SS - SS-304

SS-304 Studs are available on minimum order quantity (MOQ)

Handles

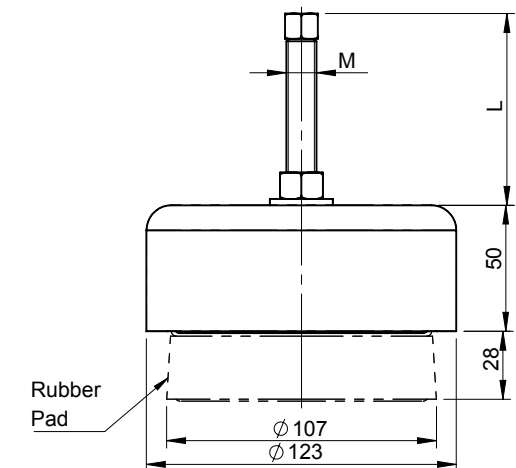
Anti-Vibration Leveling Base



Product Code	Base Material	Finish	Damping Pad	Stud Material	Stud Size (M)	Stud Length (L)	Load Capacity (Kg)
DAVLBM-80-12-78	MS	Yellow PC	Available	MS	M12	78	
DAVLBM-80-16-103	MS	Yellow PC	Available	MS	M16	103	
DAVLBM-80-20-138	MS	Yellow PC	Available	MS	M20	138	

Base : Yellow PC

All Studs are Blue Zinc Plating



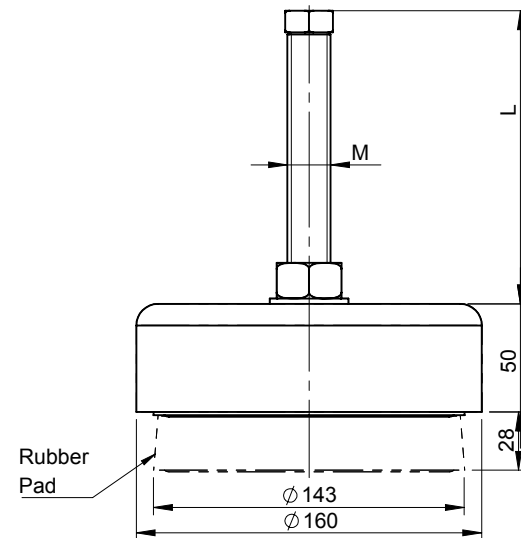
Product Code	Base Material	Finish	Damping Pad	Stud Material	Stud Size (M)	Stud Length (L)	Load Capacity (Kg)
DAVLBM-123-12-78	MS	Yellow PC	Available	MS	M12	78	
DAVLBM-123-16-101	MS	Yellow PC	Available	MS	M16	103	450
DAVLBM-123-20-138	MS	Yellow PC	Available	MS	M20	138	

Base : Yellow PC

All Studs are Blue Zinc Plating

Handles

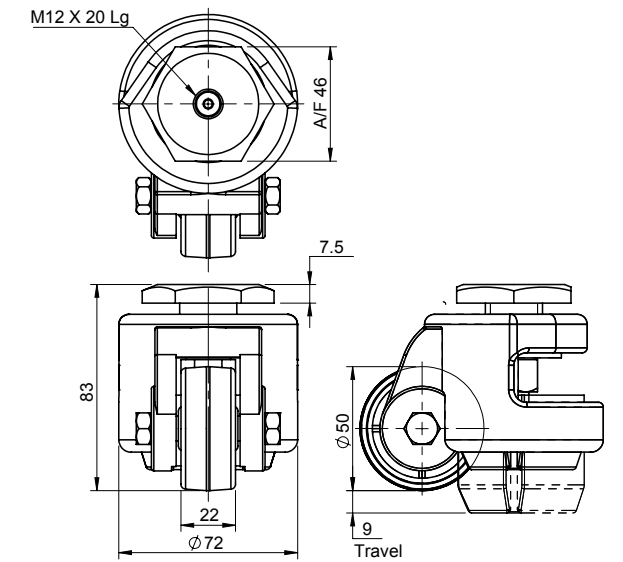
Anti-Vibration Leveling Base



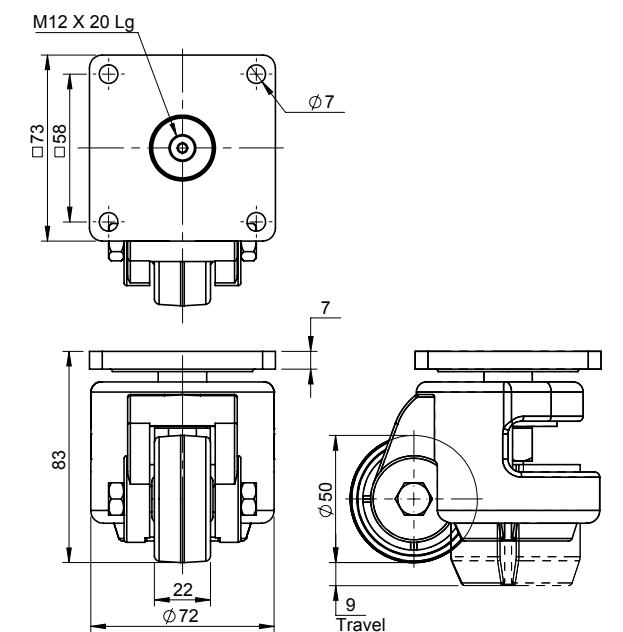
Product Code	Base Material	Finish	Damping Pad	Stud Material	Stud Size (M)	Stud Length (L)	Load Capacity (Kg)
DAVLBM-160-12-78	MS	Yellow PC	Available	MS	M12	78	
DAVLBM-160-16-103	MS	Yellow PC	Available	MS	M16	103	
DAVLBM-160-20-136	MS	Yellow PC	Available	MS	M20	138	
Base : Yellow PC							
All Studs are Blue Zinc Plating							

Handles

Leveling Foot Castor



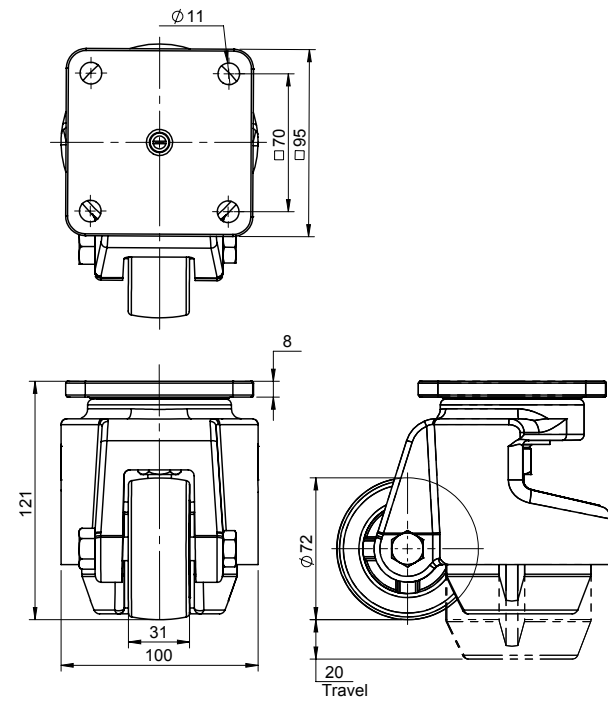
Product Code	Body Material	Body Finish	Wheel Material	Avg Break Load (Kg)	Avg Working Load (Kg)
LCF-N-100	Aluminium	Gray PC	Polyamide		



Product Code	Body Material	Body Finish	Wheel Material	Avg Break Load (Kg)	Avg Working Load (Kg)
LCF-P-100	Aluminium	Gray PC	Polyamide	1500	700
LCF-P-100-SPC	Aluminium	SPC	Polyamide	1500	700

Handles

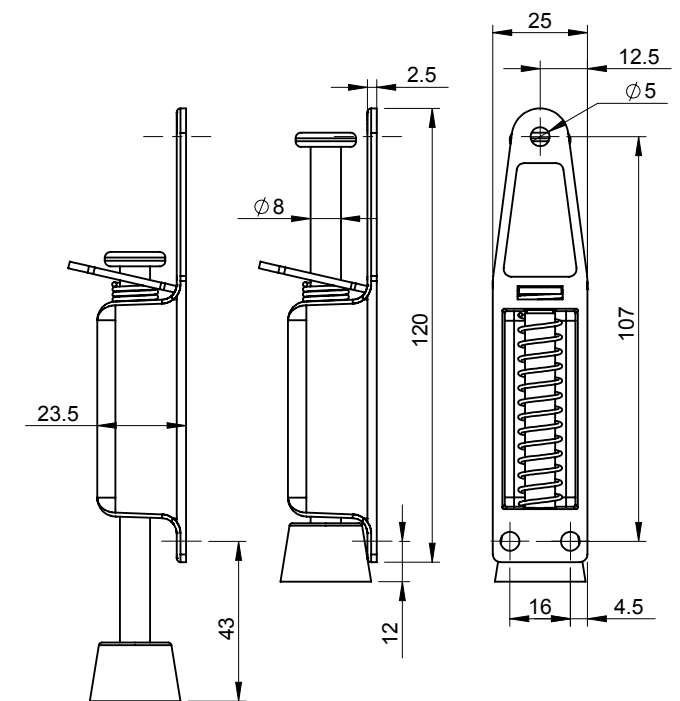
Leveling Foot Castor



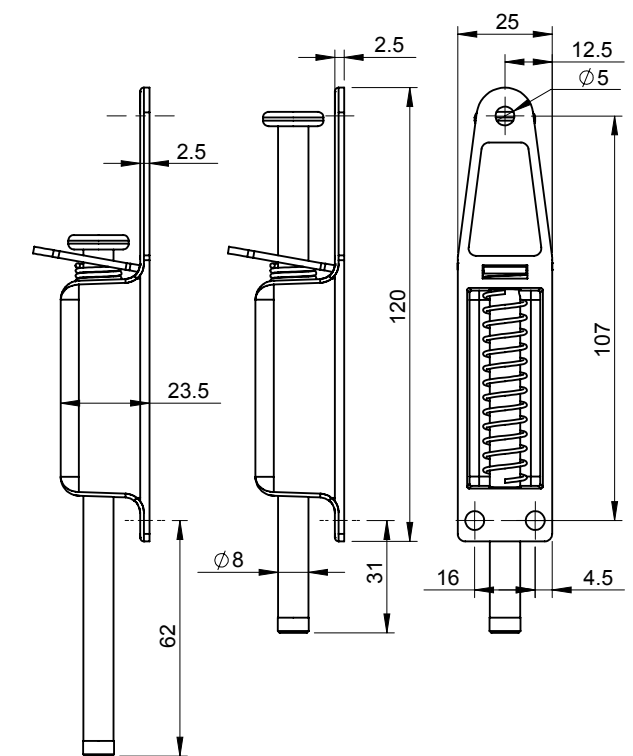
Product Code	Body Material	Body Finish	Wheel Material	Avg Break Load (Kg)	Avg Working Load (Kg)
LCF-P-140	Aluminium	Gray PC	Polyamide	2100	1100

Handles

Door Stopper



Product Code	Material	Rod Diameter	Stopper Range	Finish
DZDS-109	Zinc	$\phi 8.0$	43.0	Black PC



Product Code	Material	Rod Diameter	Stopper Range	Finish
DZDS-109-62	Zinc	$\phi 8.0$	62.0	Black PC